

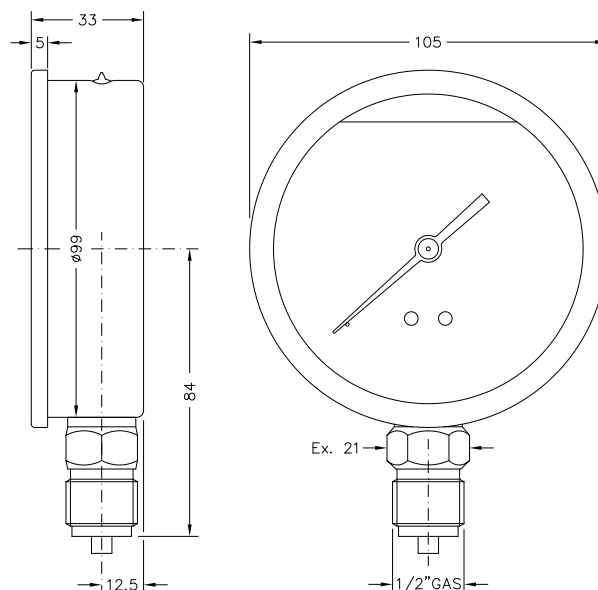
BOURDONSKI MANOMETAR, PUNJEN GLICERINOM

radijalni priključak, DN 100

BOURDON SPRING PRESSURE GAUGES WITH GLYCERINE FILLING

radial connection, DN 100

MG 100 RA



> PRIMJENA

Ovi manometri su idealni za mjerenje fluktuirajućih i pulsirajućih tlakova i gdje su prisutne vibracije. Otporni su na tlačne udare. Prikladni su za sve tekuće ili plinovite medije, pod uvjetom da potonji nisu visoko viskozni, kristalizirajući ili korozivni za bakar i legure kositra.

> GRANE PRIMJENE

- naftna hidraulika (postrojenja i oprema)
- tehnička oprema
- pročistači vode
- agrokultura i tehnologija stočarstva
- prijevozna sredstva
- kompresori

> NORMATIVI

- EN 837-1
klasa preciznosti 1,6
- direktiva CE 1997-23(PED)
- stupanj zaštite IP65 prema EN 60529

> RADNA OPTEREĆENJA

Temperatura

Na manometru $-20 \div +70$ °C
Medij max 70 °C

Tlak

Do 3/4 cijele mjerne skale za statički tlak
Do 2/3 cijele mjerne skale za fluktuirajući tlak
Do cijele mjerne skale za kratke intervale

Fluidi

Tekućine ili plinovi koji nisu korozivni za legure bakra, niske viskoznosti i ne kristalizirajući
Manometri nisu pogodni za kisik

> APPLICATIONS

Pressure gauges ideal for the measurement of rapidly fluctuating or pulsating pressures, or in presence of vibrations. Good shock resistance. Suitable for all liquid or gaseous fluids, provided the latter are not highly viscous, crystallising or corrosive to copper and tin alloys.

> MAIN FIELDS OF APPLICATION

- oil hydraulics (plant and equipment)
- technical equipment
- water cleaners
- agriculture and zootechny
- means of transport
- compressors

> NORMATIVE REFERENCES

- EN 837-1
1.6 precision class
- CE 1997-23 directive (PED)
- degree of protection IP65 according to EN 60529

> OPERATING LIMITS

Temperatures

On the body of the pressure gauge $-20 \div +70$ °C
Of pressurized fluid max 70 °C

Pressure

Up to 3/4 of the full scale value for static pressures
Up to 2/3 of the full scale value for fluctuating pressure
Up to the full scale value for short periods

Fluids

Liquid or gaseous non-corrosive to copper alloys, not highly viscous, not crystallising
Gauges not suitable for oxygen

> KONSTRUKCIJSKE KARAKTERISTIKE

- kućište od poliranog nehrđajućeg čelika AISI
- zaporni prsten od poliranog nehrđajućeg čelika AISI 304
- nelomljivi polikarbonatni prozor
- punjen čistim glicerinom 99.7%
- bijeli aluminijski brojčanik
- dvostruka mjerna skala: bar (crna boja), psi (crvena boja)
- aluminijska kazaljka
- mesing priključak
- Bourdonova cijev oblika "C" bakrene legure za mjerna područja do 40 bar, spiralne cijevi iz fosforne bronce za više tlakove
- težina 575 grama

> CONSTRUCTION FEATURES

- case in polished stainless steel AISI 304
- retaining ring in polished stainless steel AISI 304 cramped to the case with an air-tight seal
- unbreakable polycarbonate window
- filling liquid: bidistilled glycerine 99.7%
- prepainted aluminium white dial
- two-colour graphics: double scale bar (black) psi (red)
- aluminium indicator
- brass coupling
- "C" shaped Bourdon spring in copper alloy for full scale pressures up to 40 bar, spiral spring in phosphorous bronze for higher pressures
- high sensitivity movement in watch brass alloy (OT59)
- welding: tin alloy up to 40 bar, silver alloy for higher pressure
- weight 575 gr

> NAPOMENA

Kako bi imali ispravno očitavanje tlaka, potrebno je nakon instalacije instrumenta, odrezati gumeni pipac na vrhu instrumenta kako bi se izjednačio unutarnji tlak instrumenta sa vanjskim tlakom, te kako bi se otvorio izlaz za višak glicerina.

> INSTRUCTIONS

To have a correct indication of the pressure it is necessary, once installation is complete, to cut off the tip of the upper white rubber cap in order to standardise the internal pressure of the pressure gauge with the external one and at the same time allow a possible outlet to the glycerine.

> MODELI I CIJENE

MG 100 RA

ŠIFRA	M.P./SCALE	€
914 929 90	-1+3 bar/psi	39,60
914 930 00	-1 bar/kpa	42,10
914 930 01	1 bar/psi	42,10
914 930 02	1,6 bar/psi	39,60
914 930 04	2,5 bar/psi	32,50
914 930 08	4 bar/psi	32,50
914 930 10	6 bar/psi	32,50
914 930 20	10 bar/psi	32,50
914 930 30	16 bar/psi	32,50
914 930 40	25 bar/psi	32,50
914 930 50	40 bar/psi	32,50
914 930 60	60 bar/psi	34,20
914 930 70	100 bar/psi	34,20
914 930 80	160 bar/psi	34,20
914 930 90	250 bar/psi	34,20
914 931 00	400 bar/psi	34,20
914 931 10	600 bar/psi	34,20