

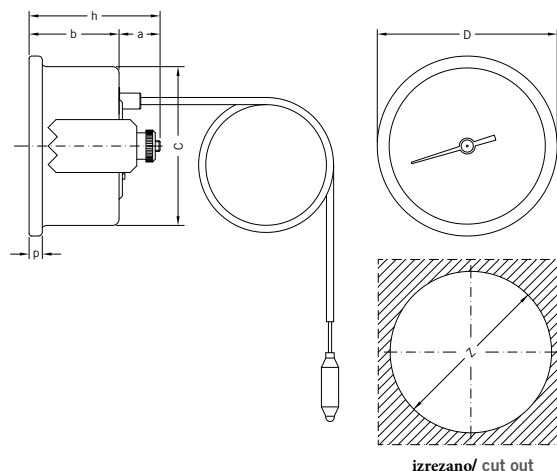
KAPILARNI TERMOMETAR, KUĆIŠTE OD NEHRĐAJUĆEG ČELIKA

za instrumentne panele, ugradnja sa sedlom, DN 52-60-80-100

CAPILLARY THERMOMETER WITH STAINLESS STEEL CASE

for instrument panel, mounting with bracket, DN 52-60-80-100

T __ MS



> DIMENZIJE I TEŽINA / SIZES AND WEIGHTS

MODELI	D	C	a	b	h	p	Z	TEŽINA/WEIGHT
T 52 MS	56 mm	51 mm	15 mm	30 mm	45 mm	5 mm	53 mm	115 gr
T 60 MS	68 mm	60 mm	15 mm	34 mm	49 mm	5 mm	61 mm	137 gr
T 80 MS	86 mm	80 mm	15 mm	33 mm	48 mm	5 mm	81 mm	172 gr
T 100 MS	105 mm	99 mm	15 mm	33 mm	48 mm	5 mm	101 mm	238 gr

> PRIMJENA

Termometri očitavaju temperaturu sa udaljenosti do 1.5m od kućišta termometra. Zahvaljujući toj karakteristici, koriste se u širokoj primjeni.

Posebno, termometri T_MS dizajnirani su za ugradnju na instrumentne ploče sa sedlom i maticom. Zbog svoje čvrste konstrukcije, mogu se koristiti u otežanim uvjetima.

> GRANE PRIMJENE

- oprema za grijanje (kotlovi, kupelj, kućanski aparati, oprema za kuhinju i restorane, pećnice, industrijska oprema)
- oprema za hlađenje (hladnjaci, hladne prostorije, industrijska oprema)

> NORMATIVI

- UNI EN 13190
klasa preciznosti 2
- stupanj zaštite IP65 prema EN 60529

> RADNA OPTEREĆENJA

Temperatura

Na kućištu termometra -20÷+70°C
Na kratke periode do pune skale

> APPLICATIONS

These thermometers can read the temperature up to 1.5 metres away from the case. Thanks to this characteristic they have long been used on a variety of equipment and therefore also the demand of spare parts is increasingly widespread.

Specifically, the thermometers T __ MS are designed for mounting on the instrument panel with a bracket and nut (included with the thermometer).

The particularly sturdy structure allows it to be used in equipment subject to heavy stress or particularly delicate.

> MAIN FIELDS OF APPLICATION

- heating equipment (boilers, baths, electric household appliances, equipment for kitchens and restaurants, kitchens, ovens, industrial technical equipment)
- refrigeration equipment (refrigerated counters, cold rooms, industrial refrigerating equipment)

> NORMATIVE REFERENCES

- UNI EN 13190
precision class 2
- degree of protection frontal IP65 according to EN 60529

> OPERATING LIMITS

Temperatures

On the body of the thermometer -20 ÷ +70 °C
On the bulb, in normal operation, up to 3/4 of the full scale value
For short periods up to full scale

> KONSTRUKCIJSKE KARAKTERISTIKE

- kućište od poliranog nehrđajućeg čelika AISI 304
- zaporni prsten od nehrđajućeg čelika AISI 304
- sedlo od nehrđajućeg čelika AISI 304
- metakrilat prozor
- bakrena kapilara duljine 1500 mm
 - opláštena crnim PVC-om za mjerno područje 0/+120°C
 - opláštena bijelim polipropilenom za mjerno područje -40/+40°C
 - opláštena bakrom za mjerno područje 0/+350°C
- mehanizam: fosforno brončana spirala
- obojani aluminijски brojčaniк
 - bijela pozadina i crni tisak za verzije 0/+120°C i 0/+350°C
 - bijela pozadina, crveni i plavi tisak za skale -40/+40°C

> CONSTRUCTION FEATURES

- case in polished stainless steel AISI 304
- retaining ring in polished stainless steel AISI 304, cramped to the case
- fixing bracket in stainless steel AISI 304
- crystal clear methacrylate window
- copper capillary 1500 mm length
 - PVC coated black for scale 0/120 °C
 - white polypropylene coated for scale -40/+40 °C
 - copper coated for scale 0/350 °C
- copper bulb insertable also on pocket (see pag. 59)
- movement: phosphorous bronze spiral
- repainted aluminium dial
 - white background and black graphics for scale 0/120 °C and 0/350 °C version
 - white background, red and blue graphics for scale -40/+40 °C

> MODELI I CIJENE

T 52 MS

ŠIFRA	M.P./SCALE	€
913 123 09 S	-40/+40 °C	11,60
913 123 10 S	0/120 °C	10,90
913 123 12 S	0/350 °C	14,40

T 60 MS

ŠIFRA	M.P./SCALE	€
913 123 19 S	-40/+40 °C	14,50
913 123 20 S	0/120 °C	13,90
913 123 22 S	0/350 °C	17,30

T 80 MS

ŠIFRA	M.P./SCALE	€
913 123 29 S	-40/+40 °C	17,00
913 123 30 S	0/120 °C	17,00
913 123 32 S	0/350 °C	20,00

T 100 MS

ŠIFRA	M.P./SCALE	€
913 123 39 S	-40/+40 °C	18,60
913 123 40 S	0/120 °C	18,00
913 123 42 S	0/350 °C	21,40

