

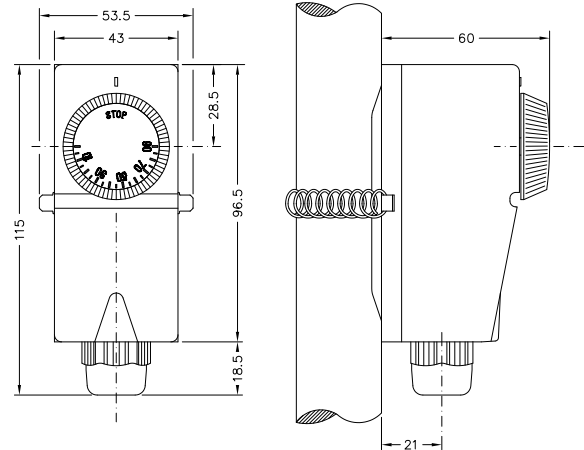
TERMOSTAT KONTAKTNI ELEKTROMEHANIČKI, PLASTIČNO KUĆIŠTE

podesiva temperatura 20/+90°C, tekuća ekspanzija

ELECTROMECHANICAL CONTACT THERMOSTAT IN PLASTIC CASE

adjustable temperature 20/90 °C, operation with liquid expansion

TUSC



> POSEBNA OBILJEŽJA

Podesivi termostat TUSC uglavnom se koristi na cjevovodima sustava grijanja za regulaciju grijača zraka, plamenika, pumpi i slično.

Radi na principu tekuće ekspanzije koja osigurava konstantnost i preciznost.

Postavlja se, pomoću opruge, tako da osjetni dio mehanizma prisloni na cjevovod.

Pogodni su za:

- standardne i centralne sustave grijanja
- sustave podnog grijanja
- razne sustave koji zahtijevaju ON/OFF signal sa cjevovoda kada temperatura dosegne temperaturu između 20 i 90°C

> DISTINCTIVE FEATURES

The adjustable thermostat TUSC is mainly used on the pipelines of heating systems for the regulation of air heaters, burners, pumps and the like.

The operating principle works with liquid expansion and this ensures consistency and accuracy of operation.

The setting takes place via the supplied spring that ensures the contact of the sensitive part to the pipeline and therefore reliability of the response of the thermostat.

Suitable to:

- traditional heating systems and centralized
- floor heating systems
- many other applications when you need to receive an ON/OFF signal from the pipeline when it reaches a temperature of between 20 and 90 °C

> NORMATIVI

- ENEC odobrenje
- CE deklaracija
- EN 60730
- BT 2006/95/CE
- EMC 2004/108/CE

> NORMATIVE REFERENCES

- ENEC approval
- CE conformity
- EN 60730
- BT 2006/95/CE
- EMC 2004/108/CE

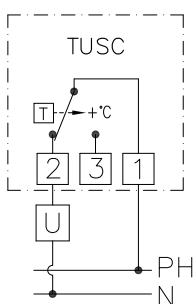
> TEHNIČKI PODACI

- kućište od termoplastičnog materijala
- kontaktna ploča za cjevovode od galvaniziranog čelika
- termostatni element sa tekućom ekspanzijom
- kabel M20
- mjereno područje 20/+90°C
- tolerancija ± 5°C
- temperaturni gradijent < 1K/m'
- sklopke (SPDT)
- kontaktni kapacitet 16A (2.5A)/250 Vac
- izolacija klase I
- maksimalna temperatura na kućištu 80°C
- maksimalna temperatura na kontaktnoj ploči 125°C
- stupanj zaštite IP40 prema EN60529
- diferencija (Δt) 5/+10°C
- težina 190 grama

> TECHNICAL DATA

- exterior in shockproof thermoplastic material
- contact plate to the pipeline in galvanised steel
- thermostat element with liquid dilatation
- cable gland M20
- setting range from 20 to 90 °C
- tolerance ± 5 °C
- temperature gradient < 1 K/m'
- switching contacts (SPDT)
- contact capacity 16A (2.5A)/250 Vac
- insulation class I
- maximum body temperature 80 °C
- maximum temperature of contact plate 125 °C
- degree of protection IP40 according to EN 60529
- differential (Δt) 5 ÷ 10 °C
- weight 190 gr

> SCHEMA SPAJANJA / WIRING DIAGRAM



> MODELI I CIJENE

ŠIFRA	MODEL	€
919 340 10	TUSC	17,30