

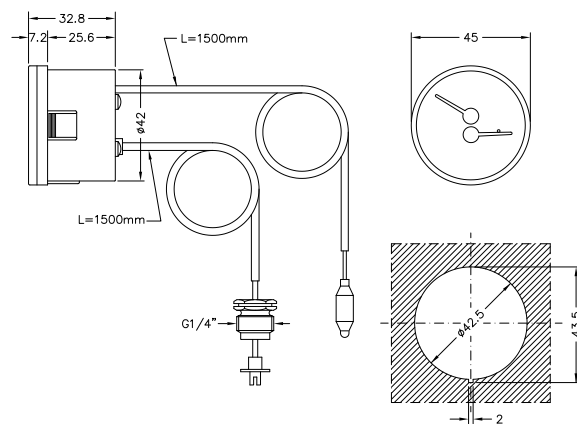
## KAPILARNI TERMOMANOMETRI SA TERMOPLASTIČNIM KUĆIŠTEM

instrumentne panele, učvršćivanje sa elastičnim kontaktom, DN 42

## CAPILLARY THERMOMANOMETERS WITH CASE IN THERMOPLASTIC MATERIAL

for instrument panel, fastening with elastic tabs, DN 42 case

TI 42 P



izrezano / cut out

### > PRIMJENA

Kapilarni termomanometri koriste se kod kotlova za očitavanje tlaka i temperature na instrumentnoj ploči. Često proizvođači kotlova zahtijevaju preinake iz tehničkih ili estetskih razloga.

Na ovim stranicama predstavljamo osnovni model, kompatibilan sa većinom kotlova.

### > GRANE PRIMJENE

Kao glavni i zamjenski element:

- kotlovi
- tehnička oprema
- strojevi

### > NORMATIVI

- UNI EN 837-1  
tlačna skala klase preciznosti 2.5
- UNI EN 13190  
temperaturna skala klase preciznosti 2
- stupanj zaštite IP31 prema EN 60529

### > RADNA OPTEREĆENJA

#### Temperatura

Na instrumentu  $-20 \div +70$  °C  
Na tlačnom mediju max 90 °C

#### Tlak

Do 3/4 cijele mjerne skale za statički tlak  
Do 2/3 cijele mjerne skale za fluktuirajući tlak  
Do cijele mjerne skale za kratke intervale

#### Fluidi

Tekućine ili plinovi koji nisu korozivni za legure bakra, niske viskoznosti i ne kristalizirajući

### > APPLICATIONS

The capillary thermomanometers are used especially on boilers for the purpose of reading the pressure and temperature on a sole instrument panel, taking it from a distance.

Often the manufacturers of boilers require customisations for technical or aesthetic reasons.

In these pages we present some basic models, easily interchangeable with most models used by manufacturers of boilers and therefore particularly suitable for the market of spare parts or to satisfy the needs of small series.

### > MAIN FIELDS OF APPLICATION

Both as main element and as a replacement on:

- boilers
- technical equipment
- machinery and special machines

### > NORMATIVE REFERENCES

- UNI EN 837-1  
pressure scale precision class 2.5
- UNI EN 13190  
temperature scale precision class 2
- degree of protection IP31 according to EN 60529

### > OPERATING LIMITS

#### Temperatures

On the body of thermomanometer  $-20 \div +70$  °C  
Of pressurized fluid max 90 °C

#### Pressure

Up to 3/4 of the full scale value for static pressures  
Up to 2/3 of the full scale value for fluctuating pressure  
Up to the full scale value for short periods

#### Fluids

Liquid or gaseous non-corrosive to copper alloys, not highly viscous, not crystallising

**> KONSTRUKCIJSKE KARAKTERISTIKE**

- bijelo kućište od pojačanog poliamidnog vlakna
- metakrilat prozor
- bakrena kapilara zaštićena crnim PVC-om
- tlačni mesing priključak
- Bourdonova cijev "C" oblika, bakrena legura
- termičko osjetilo: fosforno brončana spirala
- obojani aluminijski brojčanik  
crna pozadina i bijeli tisak
- crvena kazaljka maksimuma označena na prozoru
- težina 112 grama

**> CONSTRUCTION FEATURES**

- white reinforced nylon casing
- crystal clear methacrylate window
- copper capillary covered with black PVC
- brass pressure fitting usable also with check valve (see pag. 59)
- "C" shaped Bourdon spring in copper alloy
- high sensitivity movement in watch brass alloy (OT59)
- copper bulb insertable also on pocket (see pag. 59)
- thermometric movement: phosphorous bronze spiral
- prepainted aluminium dial  
white background and black graphics
- weight 112 gr

**> MODELI I CIJENE**

**TI 42 P**

ŠIFRA	PRIKLJUČAK/THREAD	M.P./SCALE	€
913 921 06	G 1/4"	0/120 °C - 0/4 bar	12,60
913 921 08	G 1/4"	0/120 °C - 0/6 bar	12,60