

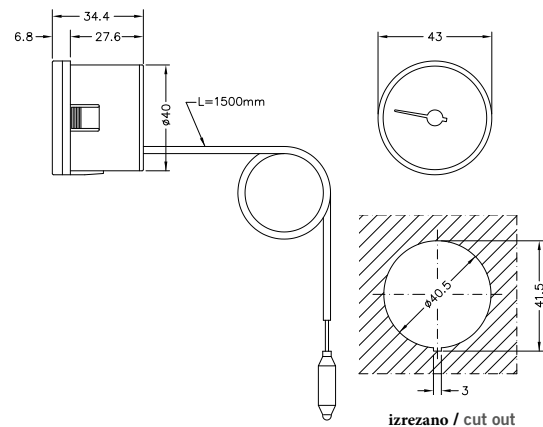
# KAPILARNI TERMOMETAR SA TERMOPLASTIČNIM KUĆIŠTEM

za instrumentne panele, učvršćivanje sa elastičnim kontaktom, DN 40

## CAPILLARY THERMOMETER WITH CASE IN THERMOPLASTIC MATERIAL

for instrument panel, fastening with elastic tabs, DN 40 case

**T 40 P**



### > PRIMJENA

Kapilarni termometri koriste se za očitavanje temperature na instrumentnim pločama, mjerenje se vrši sa udaljenosti. Model T 40 P najčešće se koriste za kotlove.

Često proizvođači kotlova i hladnjaka zahtijevaju preinake iz tehničkih ili estetskih razloga.

Na ovim stranicama predstavljamo osnovni model, kompatibilan sa većinom kotlova.

### > GRANE PRIMJENE

Kao glavni i zamjenski element:

- kotlovi
- oprema za ugostiteljstvo

### > APPLICATIONS

The capillary thermometer have long been used in a wide variety of applications where it is useful or necessary to read the temperature on an instrument panel, taking it from a distance. The most common applications for model T 40 P is certainly on boilers. Often the various brands of boilers require customisations for technical or aesthetic reasons. In these pages we present some basic models, easily interchangeable with most models used by manufacturers, and therefore particularly suitable for the market of spare parts or to satisfy the needs of small series.

### > MAIN FIELDS OF APPLICATION

The main equipment that use T 40 P as their first use or as a replacement for maintenance are:

- boilers
- equipment for bars and restaurants

### > NORMATIVI

- UNI EN 13190  
klasa preciznosti 2
- stupanj zaštite IP31 prema EN 60529

### > NORMATIVE REFERENCES

- UNI EN 13190  
precision class 2
- degree of protection IP31 according to EN 60529

### > RADNA OPTEREĆENJA

#### Temperatura

Na kućištu termometra -20/+70°C

Na kratke periode do pune skale

### > OPERATING LIMITS

#### Temperatures

On the body of the thermometer -20 ÷ +70 °C

On the bulb, in normal operation, up to 3/4 of the full scale value

For short periods up to full scale

**> KONSTRUKCIJSKE KARAKTERISTIKE**

- kućište od pojačanog poliamidnog vlakna
- metakrilat prozor
- bakrena kapilara opláštena crnim PVC-om
- mehanizam: fosforno brončana spirala
- obojani aluminijski brojčanik  
bijela pozadina i crni tisak
- tiskana skala 0/+120°C
- težina 50 grama

**> CONSTRUCTION FEATURES**

- white reinforced nylon casing
- crystal clear methacrylate window
- copper capillary covered with black PVC
- copper bulb insertable also on pocket (see pag. 59)  
movement: phosphorous bronze spiral
- prepainted aluminium dial  
white background and black graphics
- graduated scale 0/120 °C
- weight 50 gr

**> MODELI I CIJENE**

**T 40 P**

ŠIFRA	M.P./SCALE	€
913 120 20	0/120 °C	6,80