

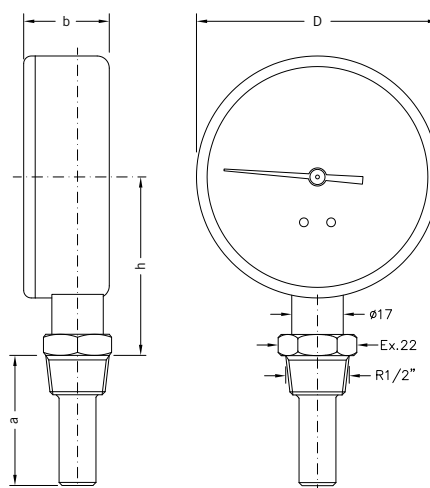
TERMOMETRI SA RADIJALNOM SONDOM, TEKUĆA EKSPANZIJA

sa zaštitnim tuljkom, DN 63–80–100

RADIAL STEM THERMOMETERS, LIQUID EXPANSION

with pocket, DN 63–80–100

RD -- VI



> DIMENZIJA I TEŽINA / SIZES AND WEIGHTS

MODELI	D	b	h	a	TEŽINA/WEIGHT
RD 63 VI	62 mm	28 mm	50 mm	43 mm	144 gr
				97 mm	170 gr
RD 80 VI	80 mm	28 mm	59 mm	43 mm	177 gr
				97 mm	202 gr
RD 100 VI	99 mm	29 mm	69 mm	43 mm	265 gr
				97 mm	300 gr

> PRIMJENA

Termometri koji unutarnjom tekućom ekspanzijom precizno i pouzdano označavaju temperaturu.

Posebno su pogodni za susatve grijanja. Sonda je zaštićena tuljkom koji se koristi iz dva razloga: da bi zaustavio nadiranje tekućine unutar samog termometra i da bi dopustio, u slučaju održavanja, zamjenu termometra bez prethodno pražnjenja sustava.

> GRANE PRIMJENE

- vodovodni sustavi i oprema
- sustavi grijanja
- pneumatika i hidraulika
- industrijska automatizacija
- industrijska i tehnička oprema

> NORMATIVI

- UNI EN 13190
klasa preciznosti 2
- deklaracija I.S.P.E.S.L. (skala 0/120°C)
- stupanj zaštite IP31 prema EN 60529

> APPLICATIONS

Thermometers that work in liquid expansion for a ready and reliable indication of the temperature. Of general use in various applications.

Particularly suitable for heating systems. They are attached through a threaded pocket. This has a dual purpose: to prevent liquid from penetrating inside the thermometer and allow, in case of maintenance, the replacement of the thermometer without having to drain the system beforehand.

The combination of three diameters, three graduations, two stem lengths, creates a wide range of models able to satisfy any requirement.

> MAIN FIELDS OF APPLICATION

- plumbing equipment and systems
- heating systems
- pneumatics and hydraulics
- industrial automation
- industrial items and technical equipment

> NORMATIVE REFERENCES

- UNI EN 13190
class precision 2
- I.S.P.E.S.L. conformity (scale 0/120 °C)
- degree of protection IP31 according to EN 60529

> RADNA OPTEREĆENJA

Dopuštena temperatura na kućištu termometra -20/+70°C
Maksimalan tlak na sondu 6 bar
Tekućine i plinovi koji nisu korozivni za bakrene legure

> KONSTRUKCIJSKE KARAKTERISTIKE

- ABS kućište za promjere (Ø 63 i Ø 80) ili obojeni čelik (Ø 100)
- prozor od metakrilata
- bijelo obojana aluminijska kazaljka
 - crna 0/+60°C i 0/+120°C
 - crvena i crna -30/+50°C
- mesing sonda
- mesing zaštitni tuljak (duljine 5 ili 10 cm)
- mjerni element osjetljiv na tekuću ekspanziju sa oplemenjenom MsCuZn spiralom

> OPERATING LIMITS

Temperature allowed on the thermometer casing
-20 ÷ +70 °C
Maximum pressure on the pocket 6 bar
Liquid or gaseous fluids not corrosive for copper alloys

> CONSTRUCTION FEATURES

- black ABS shockproof casing (Ø 63 and Ø 80) or painted steel (Ø 100)
- highly transparent methacrylate window
- prepainted aluminium dial, white background
 - black graphics (0/60 °C and 0/120 °C)
 - red and black graphics (-30/+50 °C)
- brass stem
- brass pocket machined from bar (length 5 cm) or brass fitting and copper pipe (length 10 cm)
- liquid expansion sensing element with phosphorous bronze spiral
- lantern friction spring between stem and pocket

> MODELI I CIJENE**RD 63 VI**

ŠIFRA	M.P./SCALE	NOMINALNA DULJINA/NOMINAL LENGTH	€
916 460 51	-30/+50 °C	5 cm	17,10
916 460 52	0/60 °C	5 cm	17,10
916 460 50	0/120 °C	5 cm	17,10
916 461 01	-30/+50 °C	10 cm	18,20
916 461 02	0/60 °C	10 cm	18,20
916 461 00	0/120 °C	10 cm	18,20

RD 80 VI

ŠIFRA	M.P./SCALE	NOMINALNA DULJINA/NOMINAL LENGTH	€
916 480 51	-30/+50 °C	5 cm	18,50
916 480 52	0/60 °C	5 cm	18,50
916 480 50	0/120 °C	5 cm	18,50
916 481 01	-30/+50 °C	10 cm	19,80
916 481 02	0/60 °C	10 cm	19,80
916 481 00	0/120 °C	10 cm	19,80

RD 100 VI

ŠIFRA	M.P./SCALE	NOMINALNA DULJINA/NOMINAL LENGTH	€
916 490 51	-30/+50 °C	5 cm	22,80
916 490 52	0/60 °C	5 cm	22,80
916 490 50	0/120 °C	5 cm	22,80
916 491 01	-30/+50 °C	10 cm	24,60
916 491 02	0/60 °C	10 cm	24,60
916 491 00	0/120 °C	10 cm	24,60