

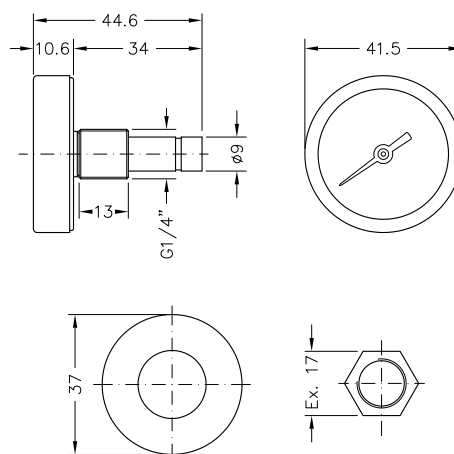
BIMETALNI PIROMETAR, AKSIJALNA SONDA

mjerno područje 0/500°C sa staklenim prstenom i učvršnom maticom DN 40

BIMETALLIC PYROMETERS WITH REAR STEM

0/500 °C scale with glass ring, fixed with nut on threaded stem, DN 40

PSZ 40 ST



> PRIMJENA

Bimetalni termometar je čvrste konstrukcije, skale do 500°C. Posebno su pogodni za mjerenje temperature pećnica i kuhala. Učvršćivanje se radi sa posebnom maticom.

> GRANE PRIMJENE

- pećnice
- kuhala
- ostala oprema za grijanje

> APPLICATIONS

Bimetallic thermometer, sturdy construction, full scale 500 °C, particularly suitable for application on the door of ovens and stoves. The fixing is done with special nut (included), so that besides as a first use, it is easily usable also as a spare part in maintenance.

> MAIN FIELDS OF APPLICATION

- ovens
- stoves
- other equipment for heating

> NORMATIVI

- UNI EN 13190
klasa preciznosti 2
- stupanj zaštite IP31 prema EN 60529

> NORMATIVE REFERENCES

- UNI EN 13190
class precision 2
- degree of protection IP31 according to EN 60529

> RADNA OPTEREĆENJA

Dopuštena temperatura na kućištu termometra
-20/+90°C
Tekućine ili plinovi koje nisu korozivne za bakrene legure

> OPERATING LIMITS

Temperature allowed on the thermometer casing
-20 ÷ +90 °C
Liquid or gaseous fluids not corrosive for copper alloys

> KONSTRUKCIJSKE KARAKTERISTIKE

- kućište od galvaniziranog čelika
- čelični obruč
- prozirno staklo, debljine 2 mm
- obojani aluminijski brojčanik
srebrna pozadina, crni tisak
- mesing sonda
- mjerni mehanizam: bimetalna spirala
- težina 48 grama

> CONSTRUCTION FEATURES

- case in galvanized steel
- nickel-plated steel retaining ring
- transparent glass, thickness 2 mm
- prepainted aluminium dial
silver background, black graphics
- machined brass stem as per drawing
- movement bimetallic spiral
- brass nut
- insulating seal for high temperature
- weight 48 gr

> MODELI I CIJENE

PSZ 40 ST		
ŠIFRA	M.P./SCALE	€
916 341 03	0/500 °C	5,60