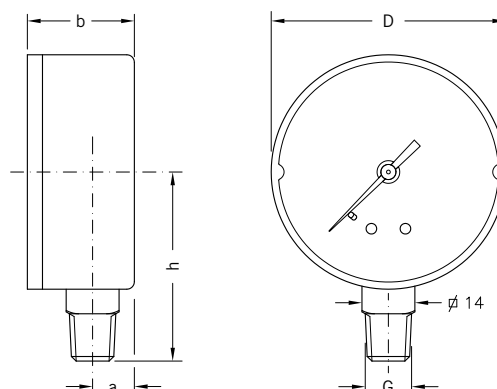


## BOURDONSKI MANOMETAR, RADIJALNI PRIKLJUČAK

standardne verzije DN 40–50–63

## BOURDON SPRING PRESSURE GAUGES, BOTTOM CONNECTION standard version DN 40–50–63

**M -- RP**



### > DIMENZIJE I TEŽINA / SIZES AND WEIGHTS

ŠIFRA	D	G	a	b	h	TEŽINA/WEIGHT
<b>M 40 RP</b>	41 mm	R1/8"	10 mm	26 mm	36 mm	55 gr
<b>M 50 RP</b>	52 mm	R1/4"	11 mm	28 mm	45 mm	72 gr
<b>M 63 RP</b>	62 mm	R1/4"	11 mm	28 mm	50 mm	88 gr

### > PRIMJENA

Pogodni su za mjerenje tlaka tekućina ili plinova, pod uvjetom da potonji nisu visoke viskoznosti, kristalizirani ili korozivni za bakar i legure kositra.

### > GRANE PRIMJENE

- vodovodna oprema i sustavi
- sustavi za grijanje
- pneumatika i hidraulika
- industrijska automatizacija
- industrijska i tehnička oprema

### > APPLICATIONS

They are suitable for measuring the pressure of liquid or gaseous fluids, provided the latter are not highly viscous, crystallising or corrosive to copper and tin alloys.

### > MAIN FIELDS OF APPLICATION

- plumbing equipment and systems
- heating systems
- pneumatics and hydraulics
- industrial automation
- industrial items and technical equipment

### > NORMATIVI

- EN 837-1  
klasa preciznosti 2,5
- direktiva CE 1997-23(PED)
- stupanj zaštite IP31 prema EN 60529

### > NORMATIVE REFERENCES

- EN 837-1  
2.5 precision class
- CE 1997-23 directive (PED)
- degree of protection IP31 according to EN 60529

### > RADNA OPTEREĆENJA

#### Temperatura

Na manometru -40 ÷ +70 °C

Medij max 70 °C

#### Tlak

Do 3/4 cijele mjerne skale za statički tlak

Do 2/3 cijele mjerne skale za fluktuirajući tlak

Do cijele mjerne skale za kratke intervale

#### Fluidi

Tekućine ili plinovi koji nisu korozivni na legure bakra, niske viskoznosti i ne kristalizirajući  
Manometri nisu pogodni za kisik

### > OPERATING LIMITS

#### Temperatures

On the body of the pressure gauge -40 ÷ +70 °C

Of pressurized fluid max 70 °C

#### Pressure

Up to 3/4 of the full scale value for static pressures

Up to 2/3 of the full scale value for fluctuating pressure

Up to the full scale value for short periods

#### Fluids

Liquid or gaseous non-corrosive to copper alloys, not highly viscous, not crystallising  
Gauges not suitable for oxygen

