

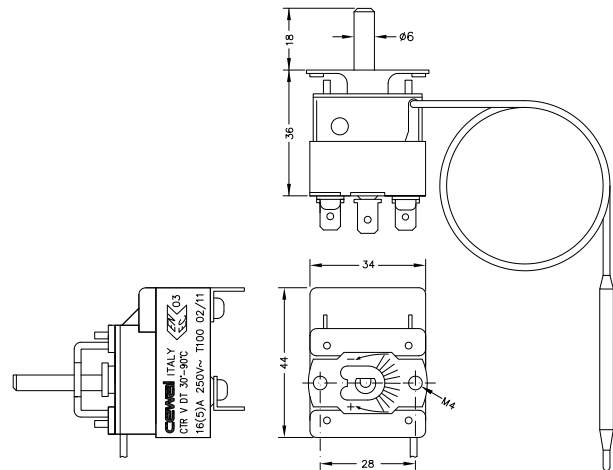
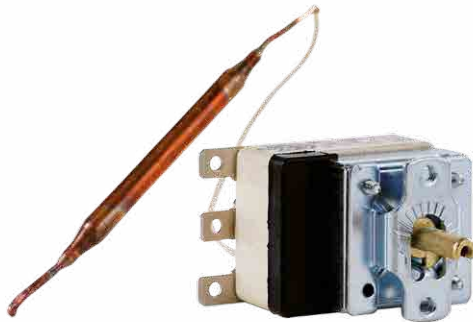
TERMOSTAT PODESIVI ELEKTROMEHANIČKI

kapilarni, tekuća ekspanzija

ELECTROMECHANICAL THERMOSTAT ADJUSTABLE OR MANUAL RESET

with capillary, liquid expansion operation

CTR



> POSEBNA OBILJEŽJA

Podesivi kapilarni termostat je pogodan za automatsku prilagodbu temperature i koristi se u raznim uređajima kao što su kotlovi, mali i veliki aparati, sustavi grijanja u industriji i domaćinstvu, tehničkim postrojenjima i općenito, u svim uređajima gdje postoji potreba za regulacijom temperature.

Sonda se uranja direktno u zaštitni tuljak ili ostavlja na površini. Kućište termostata se pričvrsti na instrumentnu ploču. Za regulaciju se koristi regulacijski gumb.

> DISTINCTIVE FEATURES

The adjustable capillary thermostat is suitable for the automatic adjustment of temperature and lends itself to a variety of applications as first use or for the maintenance of boilers, small and large appliances, civil and industrial heating, technical facilities and in general, in all applications where it is necessary to regulate the temperature of a unit.

The sensitive bulb can be used immersed directly, or inserted into a pocket (see pag. 59), or by contact with a surface, depending on the application. The body of the thermostat is usually fastened on the instrument panel. The regulation knob and bezel under knob are supplied as optional (see pag. 187).

> NORMATIVI

- ENEC odobrenje
- I.S.P.E.S.L. odobrenje (samo za šifru 919 321 21c)
- CE deklaracija
EN 60730
BT 2006/95/CE
EMC 2004/108/CE

> NORMATIVE REFERENCES

- ENEC approval
- I.S.P.E.S.L. approval (only for codet 919 321 21c)
- CE conformity
EN 60730
BT 2006/95/CE
EMC 2004/108/CE

> TEHNIČKI PODACI

- kapilara i sonda
- termostatni element sa tekućom dilatacijom
- mjerno područje (vidi tablicu)
- temperaturni gradijent < 1K/m'
- kontakti kapacitet 16A (2.5A)/250 Vac
- izolacija klase II
- maksimalana temperatura na kućištu (vidi tablicu)

> TECHNICAL DATA

- bulb and capillary (see table)
- thermostat element with liquid dilatation
- setting range (see table)
- temperature gradient < 1 K/m'
- contact capacity 16A(5A)/250 Vac
- insulation class II
- maximum body temperature (see table)

> MODELI I CIJENE

ŠIFRA	REGULACIJA ADJUSTMENT	ΔT	VRSTA KONTAKTA CONTACT TYPE	MAX. TEMP. KUĆIŠTA MAX. TEMP. BODY	MATERIJAL KAPILARE CAPILLARY MATERIAL	DULJINA KAPILARE CAPILLARY LENGTH	TEŽINA/WEIGHT	€
919 321 01c	-35/+35 °C	2 °C \pm 1,2	SPDT	T 80	inox stainless steel	1 m	130 gr	13,60
919 321 10c	0/60 °C	4 °C \pm 3	SPDT	T 80	inox stainless steel	1,5 m	125 gr	9,70
919 321 21c	30/90 °C	4 °C \pm 2	SPDT	T 100	bakar copper	1,5 m	125 gr	7,90
919 321 22c	30/110 °C	4 °C \pm 2	SPDT	T 100	bakar copper	1,5 m	120 gr	9,70
919 321 23c	30/150 °C	5 °C \pm 3	SPDT	T 150	bakar copper	1,5 m	130 gr	9,70
919 321 24c	50/200 °C	6 °C \pm 3	SPDT	T 150	bakar copper	1,5 m	110 gr	11,00
919 323 20c	97 °C \pm 3	ručno resetiranje manual reset		T 100	bakar copper	1,5 m	100 gr	11,80