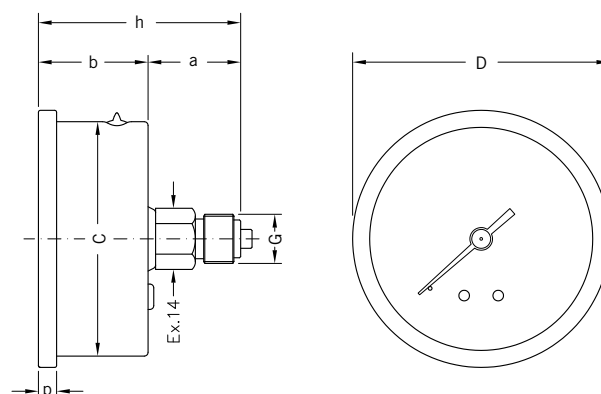


BOURDONSKI MANOMETAR, AKSIJALNI PRIKLJUČAK, INOX KUĆIŠTE
 nepunjen, za instrumentne panele, DN 50-63
BOURDON SPRING PRESSURE GAUGES, REAR CONNECTION, STAINLESS STEEL CASE
 dry version, for instrument panel, DN 50-63

M -- PA



> DIMENZIJE I TEŽINA/ SIZES AND WEIGHTS

MODEL	D	G	C	a	b	h	p	TEŽINA/WEIGHT
M 50 PA	56 mm	G1/8"	51 mm	24 mm	29 mm	53 mm	5 mm	117 gr
M 63 PA	68 mm	G1/4"	62 mm	24 mm	29 mm	53 mm	5 mm	139 gr

> PRIMJENA

Manometri čvrste konstrukcije, iznimno su pogodni za montiranje na instrumentne panele ili pogonske strojeve, za mjerenje tekućina i plinova, pod uvjetom da potonji nisu visoko viskozni, kristalizirajući ili korozivni za bakar i legure kositra. Mogu se pričvrstiti direktno na izvor tlaka ili na panel pomoću posebnih sedla i prirubnica.

> GRANE PRIMJENE

- tehnička oprema
- hidraulika i pneumatika
- kompresori

> NORMATIVI

- EN 837-1
klasa preciznosti 2,5
- direktiva CE 1997-23(PED)
- stupanj zaštite IP65 prema EN 60529

> RADNA OPTEREĆENJA

Temperatura

Na manometru -40 ÷ +70 °C
Medij max 70 °C

Tlak

Do 3/4 cijele mjerne skale za statički tlak
Do 2/3 cijele mjerne skale za fluktuirajući tlak
Do cijele mjerne skale za kratke intervale

Fluidi

Tekućine ili plinovi koji nisu korozivni za legure bakra, niske viskoznosti i ne kristalizirajući
Manometri nisu pogodni za kisik

> APPLICATIONS

Sturdy-built pressure gauges, especially suitable for mounting on the instrument panel of machines, for the measurement of liquid and gaseous fluids, provided they are not highly viscous, crystallizing or corrosive to copper and tin alloys. They can be fastened directly on the pressure inlet or the instrument panel with special brackets or flanges supplied as optional (see pag. 52/53).

> MAIN FIELDS OF APPLICATION

- technical equipment
- oil hydraulics and pneumatics
- compressors

> NORMATIVE REFERENCES

- EN 837-1
2.5 precision class
- CE 1997-23 directive (PED)
- degree of protection IP65 according to EN 60529

> OPERATING LIMITS

Temperatures

On the body of the pressure gauge -40 ÷ +70 °C
Of pressurized fluid max 70 °C

Pressure

Up to 3/4 of the full scale value for static pressures
Up to 2/3 of the full scale value for fluctuating pressure
Up to the full scale value for short periods

Fluids

Liquid or gaseous non-corrosive to copper alloys, not highly viscous, not crystallising
Gauges not suitable for oxygen

> KONSTRUKCIJSKE KARAKTERISTIKE

- kućište od poliranog nehrđajućeg čelika AISI 304
- zaporni prsten od poliranog nehrđajućeg čelika AISI 304
- nelomljivi polikarbonatni prozor
- bijeli aluminijski brojčanik
- dvostruka mjerna skala: bar (crna boja), psi (crvena boja)
- aluminijska kazaljka
- mesing priključak
- Bourdonova cijev oblika "C" bakrene legure za mjerna područja do 40 bar, spiralne cijevi iz fosforne bronce za više tlakove

> CONSTRUCTION FEATURES

- case in polished stainless steel AISI 304
- retaining ring in polished stainless steel AISI 304, cramped to the case
- unbreakable polycarbonate window
- prepainted aluminium white dial
- two-colour graphics: double scale bar (black) psi (red)
- aluminium indicator
- brass coupling
- "C" shaped Bourdon spring in copper alloy for full scale pressures up to 40 bar, spiral spring in phosphorous bronze for higher pressures
- high sensitivity movement in watch brass alloy (OT59)
- welding: tin alloy up to 40 bar, silver alloy for higher pressure

> MODELI I CIJENE

M 50 PA

ŠIFRA	M.P./SCALE	€
914 560 00	-1 bar/kpa	11,50
914 560 10	1 bar/psi	11,50
914 560 11	1,6 bar/psi	10,20
914 561 11	2,5 bar/psi	9,60
914 562 11	4 bar/psi	9,60
914 563 11	6 bar/psi	9,60
914 564 11	10 bar/psi	9,60
914 564 21	12 bar/psi	9,60
914 565 11	16 bar/psi	9,60
914 566 11	20 bar/psi	9,60
914 566 12	25 bar/psi	9,60
914 567 11	40 bar/psi	10,10
914 568 11	60 bar/psi	10,60
914 568 20	100 bar/psi	10,60
914 568 30	160 bar/psi	10,60
914 568 40	250 bar/psi	10,60
914 568 50	400 bar/psi	10,60

M 63 PA

ŠIFRA	M.P./SCALE	€
914 660 13	-1 bar/kpa	11,70
914 660 14	1 bar/psi	11,70
914 660 15	1,6 bar/psi	10,70
914 661 11	2,5 bar/psi	10,10
914 662 11	4 bar/psi	10,10
914 663 11	6 bar/psi	10,10
914 664 11	10 bar/psi	10,10
914 664 21	12 bar/psi	10,10
914 665 11	16 bar/psi	10,10
914 666 10	20 bar/psi	10,10
914 666 11	25 bar/psi	10,10
914 667 11	40 bar/psi	11,00
914 668 10	60 bar/psi	11,80
914 668 20	100 bar/psi	11,80
914 668 30	160 bar/psi	11,80
914 668 40	250 bar/psi	11,80
914 668 50	400 bar/psi	11,80