

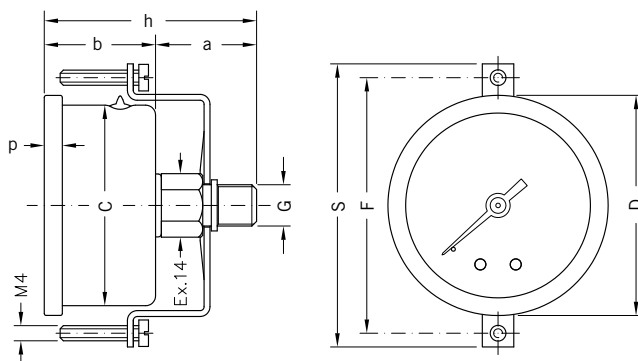
BOURDONSKI MANOMETAR, AKSIJALNI PRIKLJUČAK, SA SEDLOM

nehrđajući čelik, za instrumentne panele DN 50-63

BOURDON SPRING PRESSURE GAUGES, REAR CONNECTION, WITH BRACKET

stainless steel case dry version, for instrument panel, DN 50-63

M -- PA S



> DIMENZIJA I TEŽINA / SIZES AND WEIGHTS

MODEL	D	G	S	F	C	a	b	h	p	TEŽINA/WEIGHT
M 50 PA S	56 mm	G1/8"	72 mm	65 mm	51 mm	24 mm	29 mm	53 mm	5 mm	137 gr
M 63 PA S	68 mm	G1/4"	86 mm	78 mm	62 mm	24 mm	29 mm	53 mm	5 mm	171 gr

> MODELI I CIJENE

M 50 PA S

ŠIFRA	M.P./SCALE	€
914 560 00 S	-1 bar/kpa	12,66
914 560 10 S	1 bar/psi	12,66
914 560 11 S	1,6 bar/psi	11,36
914 561 11 S	2,5 bar/psi	10,76
914 562 11 S	4 bar/psi	10,76
914 563 11 S	6 bar/psi	10,76
914 564 11 S	10 bar/psi	10,76
914 564 21 S	12 bar/psi	10,76
914 565 11 S	16 bar/psi	10,76
914 566 11 S	20 bar/psi	10,76
914 566 12 S	25 bar/psi	10,76
914 567 11 S	40 bar/psi	11,26
914 568 11 S	60 bar/psi	11,76
914 568 20 S	100 bar/psi	11,76
914 568 30 S	160 bar/psi	11,76
914 568 40 S	250 bar/psi	11,76
914 568 50 S	400 bar/psi	11,76

M 63 PA S

ŠIFRA	M.P./SCALE	€
914 660 13 S	-1 bar/kpa	13,27
914 660 14 S	1 bar/psi	13,27
914 660 15 S	1,6 bar/psi	12,27
914 661 11 S	2,5 bar/psi	11,67
914 662 11 S	4 bar/psi	11,67
914 663 11 S	6 bar/psi	11,67
914 664 11 S	10 bar/psi	11,67
914 664 21 S	12 bar/psi	11,67
914 665 11 S	16 bar/psi	11,67
914 666 10 S	20 bar/psi	11,67
914 666 11 S	25 bar/psi	11,67
914 667 11 S	40 bar/psi	12,57
914 668 10 S	60 bar/psi	13,37
914 668 20 S	100 bar/psi	13,37
914 668 30 S	160 bar/psi	13,37
914 668 40 S	250 bar/psi	13,37
914 668 50 S	400 bar/psi	13,37