

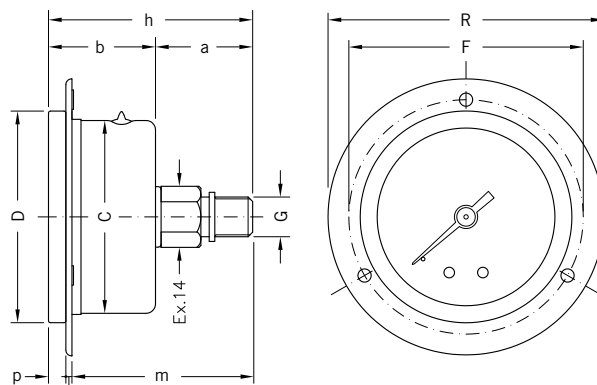
BOURDONSKI MANOMETAR, AKSIJALNI PRIKLJUČAK, SA PRIRUBNICOM

nehrđajući čelik, za instrumentne panele DN 50-63

BOURDON SPRING PRESSURE GAUGES, REAR CONNECTION, WITH THREE-HOLE FLANGE

stainless steel case dry version, for instrument panel, DN 50-63

M -- PA F



> DIMENZIJA I TEŽINA / SIZES AND WEIGHTS

MODEL	D	G	R	F	C	a	b	h	p	e	m	TEŽINA/WEIGHT
M 50 PA F	56 mm	G1/8"	73 mm	62 mm	51 mm	24 mm	29 mm	53 mm	5 mm	2 mm	46 mm	133 gr
M 63 PA F	68 mm	G1/4"	86 mm	75 mm	62 mm	24 mm	29 mm	53 mm	5 mm	2 mm	46 mm	159 gr

> MODELI I CIJENE

M 50 PA F

ŠIFRA	M.P./SCALE	€
914 560 00 F	-1 bar/kpa	13,34
914 560 10 F	1 bar/psi	13,34
914 560 11 F	1,6 bar/psi	12,04
914 561 11 F	2,5 bar/psi	11,44
914 562 11 F	4 bar/psi	11,44
914 563 11 F	6 bar/psi	11,44
914 564 11 F	10 bar/psi	11,44
914 564 21 F	12 bar/psi	11,44
914 565 11 F	16 bar/psi	11,44
914 566 11 F	20 bar/psi	11,44
914 566 12 F	25 bar/psi	11,44
914 567 11 F	40 bar/psi	11,94
914 568 11 F	60 bar/psi	12,44
914 568 20 F	100 bar/psi	12,44
914 568 30 F	160 bar/psi	12,44
914 568 40 F	250 bar/psi	12,44
914 568 50 F	400 bar/psi	12,44

M 63 PA F

ŠIFRA	M.P./SCALE	€
914 660 13 F	-1 bar/kpa	14,02
914 660 14 F	1 bar/psi	14,02
914 660 15 F	1,6 bar/psi	13,02
914 661 11 F	2,5 bar/psi	12,42
914 662 11 F	4 bar/psi	12,42
914 663 11 F	6 bar/psi	12,42
914 664 11 F	10 bar/psi	12,42
914 664 21 F	12 bar/psi	12,42
914 665 11 F	16 bar/psi	12,42
914 666 10 F	20 bar/psi	12,42
914 666 11 F	25 bar/psi	12,42
914 667 11 F	40 bar/psi	13,32
914 668 10 F	60 bar/psi	14,12
914 668 20 F	100 bar/psi	14,12
914 668 30 F	160 bar/psi	14,12
914 668 40 F	250 bar/psi	14,12
914 668 50 F	400 bar/psi	14,12

