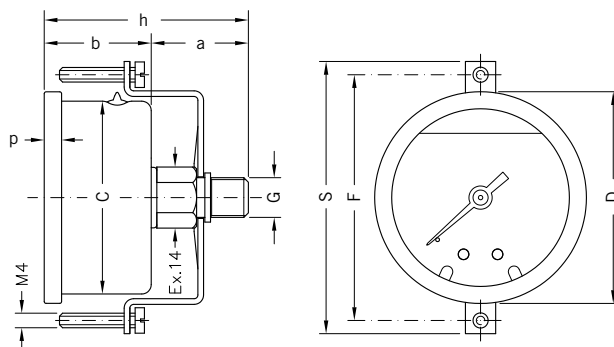


BOURDONSKI MANOMETAR SA SEDLOM, PUNJEN GLICERINOM
 aksijalni priključak, DN 50-63
BOURDON SPRING PRESSURE GAUGES, WITH BRACKET, GLYCERINE FILLING
 rear connection, DN 50-63

MG -- PA S



> DIMENZIJA I TEŽINA / SIZES AND WEIGHTS

MODELI	D	G	S	F	C	a	b	h	p	TEŽINA/WEIGHT
MG 50 PA S	56 mm	G1/4"	72 mm	65 mm	51 mm	24 mm	29 mm	53 mm	5 mm	186 gr
MG 63 PA S	68 mm	G1/4"	86 mm	78 mm	62 mm	24 mm	29 mm	53 mm	5 mm	248 gr

> MODELI I CIJENE

MG 50 PA S

ŠIFRA	M.P./SCALE	€
914 950 00 S	-1 bar/kpa	14,66
914 950 01 S	1 bar/psi	14,66
914 950 02 S	1,6 bar/psi	12,26
914 950 04 S	2,5 bar/psi	11,86
914 950 08 S	4 bar/psi	11,86
914 950 10 S	6 bar/psi	11,86
914 950 20 S	10 bar/psi	11,86
914 950 21 S	12 bar/psi	11,86
914 950 30 S	16 bar/psi	11,86
914 950 40 S	25 bar/psi	11,86
914 950 50 S	40 bar/psi	12,26
914 950 60 S	60 bar/psi	13,56
914 950 70 S	100 bar/psi	13,56
914 950 80 S	160 bar/psi	13,56
914 950 90 S	250 bar/psi	13,56
914 951 00 S	400 bar/psi	13,56

MG 63 PA S

ŠIFRA	M.P./SCALE	€
914 979 90 S	-1+3 bar/psi	13,27
914 980 00 S	-1 bar/kpa	15,57
914 980 01 S	1 bar/psi	15,57
914 980 02 S	1,6 bar/psi	13,27
914 980 04 S	2,5 bar/psi	12,97
914 980 08 S	4 bar/psi	12,97
914 980 10 S	6 bar/psi	12,97
914 980 20 S	10 bar/psi	12,97
914 980 21 S	12 bar/psi	12,97
914 980 30 S	16 bar/psi	12,97
914 980 40 S	25 bar/psi	12,97
914 980 50 S	40 bar/psi	13,57
914 980 60 S	60 bar/psi	14,47
914 980 70 S	100 bar/psi	14,47
914 980 80 S	160 bar/psi	14,47
914 980 90 S	250 bar/psi	14,47
914 981 00 S	400 bar/psi	14,47
914 981 10 S	600 bar/psi	14,47