

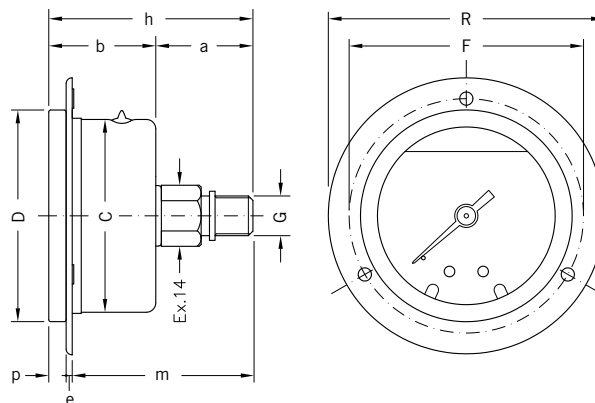
## BOURDONSKI MANOMETAR SA PRIRUBNICOM

punjen glicerinom, akasijalni priključak, DN 50-63

## BOURDON SPRING PRESSURE GAUGES, WITH THREE-HOLE FLANGE

glycerine filling rear connection, DN 50-63

**MG -- PA F**



### > DIMENZIJE I TEŽINA / SIZES AND WEIGHTS

MODELI	D	G	R	F	C	a	b	h	p	e	m	TEŽINA/WEIGHT
<b>MG 50 PA F</b>	56 mm	G1/4"	73 mm	62 mm	51 mm	24 mm	29 mm	53 mm	5 mm	2 mm	46 mm	182 gr
<b>MG 63 PA F</b>	68 mm	G1/4"	86 mm	75 mm	62 mm	24 mm	29 mm	53 mm	5 mm	2 mm	46 mm	236 gr

### > MODELI I CIJENE

#### MG 50 PA F

ŠIFRA	M.P./SCALE	€
914 950 00 F	-1 bar/kpa	15,34
914 950 01 F	1 bar/psi	15,34
914 950 02 F	1,6 bar/psi	12,94
914 950 04 F	2,5 bar/psi	12,54
914 950 08 F	4 bar/psi	12,54
914 950 10 F	6 bar/psi	12,54
914 950 20 F	10 bar/psi	12,54
914 950 21 F	12 bar/psi	12,54
914 950 30 F	16 bar/psi	12,54
914 950 40 F	25 bar/psi	12,54
914 950 50 F	40 bar/psi	12,94
914 950 60 F	60 bar/psi	14,24
914 950 70 F	100 bar/psi	14,24
914 950 80 F	160 bar/psi	14,24
914 950 90 F	250 bar/psi	14,24
914 951 00 F	400 bar/psi	14,24

#### MG 63 PA F

ŠIFRA	M.P./SCALE	€
914 979 90 F	-1+3 bar/psi	14,02
914 980 00 F	-1 bar/kpa	16,32
914 980 01 F	1 bar/psi	16,32
914 980 02 F	1,6 bar/psi	14,02
914 980 04 F	2,5 bar/psi	13,72
914 980 08 F	4 bar/psi	13,72
914 980 10 F	6 bar/psi	13,72
914 980 20 F	10 bar/psi	13,72
914 980 21 F	12 bar/psi	13,72
914 980 30 F	16 bar/psi	13,72
914 980 40 F	25 bar/psi	13,72
914 980 50 F	40 bar/psi	14,32
914 980 60 F	60 bar/psi	15,22
914 980 70 F	100 bar/psi	15,22
914 980 80 F	160 bar/psi	15,22
914 980 90 F	250 bar/psi	15,22
914 981 00 F	400 bar/psi	15,22
914 981 10 F	600 bar/psi	15,22

