

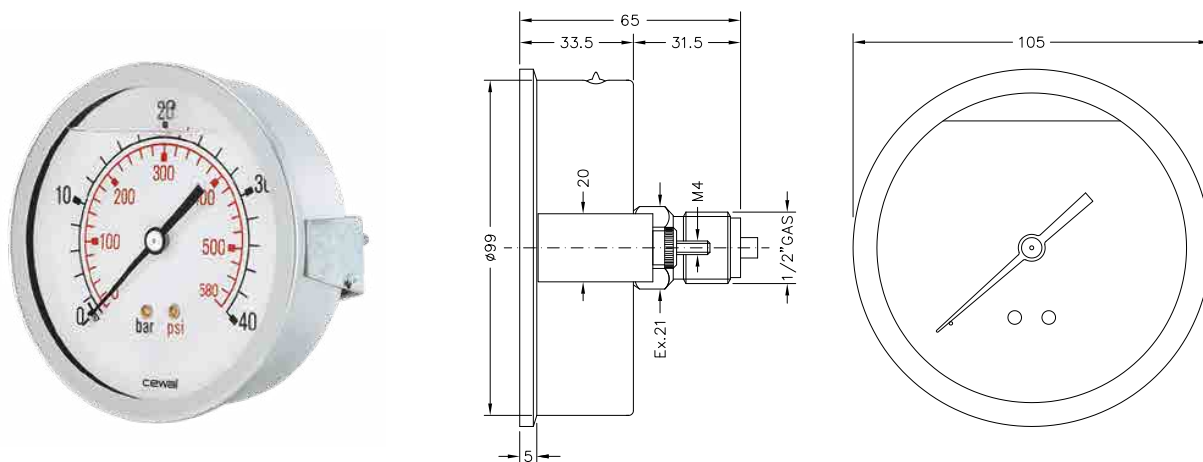
## BOURDONSKI MANOMETAR SA SEDLOM, PUNJEN GLICERINOM

aksijalni priključak, DN 100

## BOURDON SPRING PRESSURE GAUGES, WITH BRACKET, GLYCERINE FILLING

rear connection, DN 100

**MG 100 PA S**



### > MODELI I CIJENE

#### MG 100 PA S

ŠIFRA	M.P./SCALE	€
914 990 02 S	-1 bar/kpa	48,90
914 990 03 S	1 bar/psi	48,90
914 990 04 S	1,6 bar/psi	46,90
914 990 05 S	2,5 bar/psi	39,50
914 990 08 S	4 bar/psi	39,50
914 990 10 S	6 bar/psi	39,50
914 990 20 S	10 bar/psi	39,50
914 990 30 S	16 bar/psi	39,50
914 990 40 S	25 bar/psi	39,50
914 990 50 S	40 bar/psi	39,50
914 990 60 S	60 bar/psi	41,20
914 990 70 S	100 bar/psi	41,20
914 990 80 S	160 bar/psi	41,20
914 990 90 S	250 bar/psi	41,20
914 991 00 S	400 bar/psi	41,20
914 991 10 S	600 bar/psi	41,20