

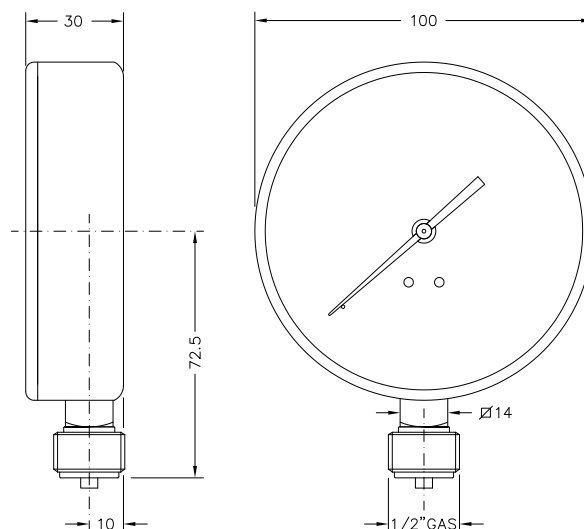
BOURDONSKI MANOMETAR, RADIJALNI PRIKLJUČAK

standardne verzije, DN 100

BOURDON SPRING PRESSURE GAUGES, BOTTOM CONNECTION

standard version, DN 100

M 100 RM



> PRIMJENA

Pogodni su za mjerenje tlaka tekućina ili plinova, pod uvjetom da potonji nisu visoke viskoznosti, kristalizirajući ili korozivni za bakar i legure kositra.

> GRANE PRIMJENE

- vodovodna oprema i sustavi
- sustavi za grijanje
- pneumatika i hidraulika
- industrijska automatizacija
- industrijska i tehnička oprema

> APPLICATIONS

They are suitable for measuring the pressure of liquid or gaseous fluids, provided the latter are not highly viscous, crystallising or corrosive to copper and tin alloys.

> MAIN FIELDS OF APPLICATION

- plumbing equipment and systems
- heating systems
- pneumatics and hydraulics
- industrial automation
- industrial items and technical equipment

> NORMATIVI

- EN 837-1
klasa preciznosti 2,5
- direktiva CE 1997-23(PED)
- stupanj zaštite IP31 prema EN 60529

> RADNA OPTEREĆENJA

Temperatura

Na manometru $-40 \div +70$ °C
Medij max 70 °C

Tlak

Do 3/4 cijele mjerne skale za statički tlak
Do 2/3 cijele mjerne skale za fluktuirajući tlak
Do cijele mjerne skale za kratke intervale

Fluidi

Tekućine ili plinovi koji nisu korozivni za legure bakra, niske viskoznosti i ne kristalizirajući
Manometri nisu pogodni za kisik

> NORMATIVE REFERENCES

- EN 837-1
2.5 precision class
- CE 1997-23 directive (PED)
- degree of protection IP31 according to EN 60529

> OPERATING LIMITS

Temperatures

On the body of the pressure gauge $-40 \div +70$ °C
Of pressurized fluid max 70 °C

Pressure

Up to 3/4 of the full scale value for static pressures
Up to 2/3 of the full scale value for fluctuating pressure
Up to the full scale value for short periods

Fluids

Liquid or gaseous non-corrosive to copper alloys, not highly viscous, not crystallising
Gauges not suitable for oxygen

> KONSTRUKCIJSKE KARAKTERISTIKE

- kućište crno obojani čelik
- prozor metakrilat
- dvostruka mjerna skala: bar (crna boja), psi (crvena boja)
- kazaljka od crne plastike
- mesing priključak
- Bourdonova cijev oblika "C" bakrene legure za mjerna područja do 40 bar, spiralne cijevi iz fosforne bronce za više tlakove
- težina 242g

> CONSTRUCTION FEATURES

- painted steel black case
- crystal clear methacrylate window
- prepainted aluminium white dial
- two-colour graphics, double scale: bar (black) psi (red)
- black plastic indicator
- brass coupling
- "C" shaped Bourdon spring in copper alloy for full scale pressures up to 40 bar, spiral spring in phosphorous bronze for higher pressures
- movement in watch brass alloy (OT59)
- weight 242 g

> MODELI I CIJENA

M 100 RM

ŠIFRA	M.P./SCALE	€
914 130 09	-1+3 bar/psi	14,70
914 130 10	-1 bar/kpa	16,10
914 130 11	1 bar/psi	16,10
914 130 12	1,6 bar/psi	14,70
914 131 10	2,5 bar/psi	13,80
914 132 10	4 bar/psi	13,80
914 133 10	6 bar/psi	13,80
914 134 10	10 bar/psi	13,80
914 135 10	16 bar/psi	13,80
914 136 10	25 bar/psi	13,80
914 137 10	40 bar/psi	14,00
914 138 00	60 bar/psi	15,40
914 138 10	100 bar/psi	15,40
914 138 20	160 bar/psi	15,40
914 138 30	250 bar/psi	15,40
914 138 40	400 bar/psi	15,40
914 138 50	600 bar/psi	15,40