

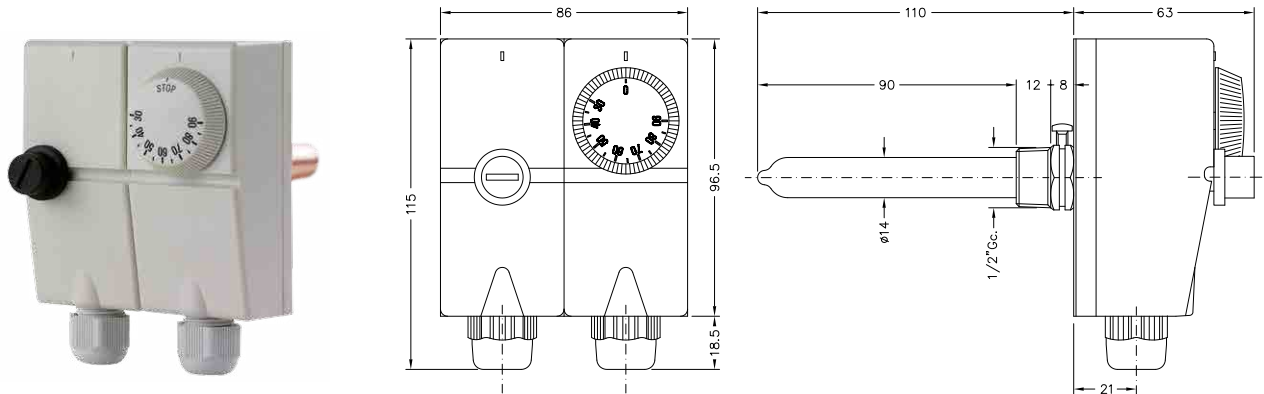
TERMOSTAT DVOSTRUKI ELEKTROMEHANIČKI , PLASTIČNO KUĆIŠTE

podesiva temperatura 30/+90°C i zaštita sa ručnim resetiranjem, aksijalna sonda, tekuća ekspanzija

DUAL ELECTROMECHANICAL THERMOSTAT IN PLASTIC CASE

adjustable temperature 30/90 °C and for safety with manual reset, pocket immersion, operation with liquid expansion

TURR



> POSEBNA OBILJEŽJA

TURR je zaštitni termostat u plastičnom kućištu i uglavnom se koristi kod sustava grijanja. Objedinjuje funkcije podešavanja (koje se koriste za kontrolne pumpe, plamenike, grijače zraka i slično), te kao osigurač za zaštitu sustava (u slučaju pregrijavanja, prekida sustav).

U slučaju intervencije zaštitnog termostata, sami prekid neće otkloniti uzrok problem. Također, potrebno je i ručno resetiranje sustava.

Radi na principu tekuće ekspanzije koja osigurava konstantnost i preciznost.

Osjetni mehanizam zaštitnog termostata također ima zaštitni element zahvaljujući kojemu zaustavlja sustav i u slučaju gubitka tekućine u termostatu.

Osjetni mehanizam se direktno uranja u tekućinu pomoću stražnje sonde.

Koristi se u sutavima grijanja, posebno koja podliježu I.S.P.E.S.L. kontroli.

> DISTINCTIVE FEATURES

TURR is a safety thermostat with plastic case mainly used in heating systems. It combines the function of adjustment used for controlling pumps, burners, air heaters and the like, to the limiter function for securing the system, stopping in case of overheating.

In case of intervention of the safety thermostat, it will not be enough to eliminate the cause of the problem, but manual intervention is required on the thermostat in order to restart the plant.

The operating principle works with liquid expansion and this ensures consistency and accuracy of operation.

The sensitive element of the safety thermostat also has a positive safety thanks to which the thermostat stops the plant even if there is a loss of liquid from the thermostat sensing element.

The temperature sensing elements are directly inserted into the pocket immersed in the liquid. This contributes to the reliability of the response of the thermostat.

Usable in heating systems. Especially in those subject I.S.P.E.S.L. control.

> NORMATIVI

- I.S.P.E.S.L. odobrenje
- CE deklaracija
- EN 60730
- BT 2006/95/CE
- EMC 2004/108/CE

> NORMATIVE REFERENCES

- I.S.P.E.S.L. approval
- CE conformity
- EN 60730
- BT 2006/95/CE
- EMC 2004/108/CE

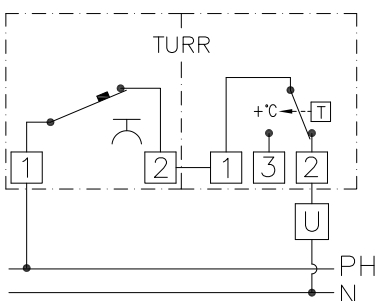
> TEHNIČKI PODACI

- kućište od termoplastičnog materijala
- sonda od bakrene legure
- termostatni element sa tekućom dilatacijom
- zaštitni termostat sa ručnim resetiranjem
- kabel M20
- temperatura intervencije termostata sa ručnim resetiranjem $96 \pm 3^\circ\text{C}$
- ručno resetiranje
- mjerno područje $30/+90^\circ\text{C}$
- temperaturni gradijent $< 1\text{K/m'}$
- kontaktni kapacitet 16A (2.5A)/250 Vac
- izolacija klase 1
- maksimalna temperatura na kućištu 80°C
- maksimalna temperatura na kontaktnoj ploči 125°C
- maksimalan pritisak na sondu 10 bara
- stupanj zaštite IP40 prema EN60529
- težina 460 grama

> TECHNICAL DATA

- exterior in shockproof thermoplastic material
- copper alloy pocket
- thermostat elements with liquid dilatation
- positive safety against capillary breakage on thermostat with manual reset
- cable gland M20
- temperature of intervention of thermostat with manual reset $96 \pm 3^\circ\text{C}$
- with manual reset
- setting range $30 \div 90^\circ\text{C}$
- temperature gradient $< 1\text{K/m'}$
- contact capacity 16A(2.5A)/250 Vac
- insulation class I
- maximum body temperature 80°C
- maximum temperature on pocket 125°C
- maximum pressure on pocket 10 bar
- degree of protection IP40 according to EN 60529
- weight 460 gr

> SCHEMA SPAJANJA / WIRING DIAGRAM



> MODELI I CIJENE

ŠIFRA	MODEL	€
919 340 30	TURR	39,80