

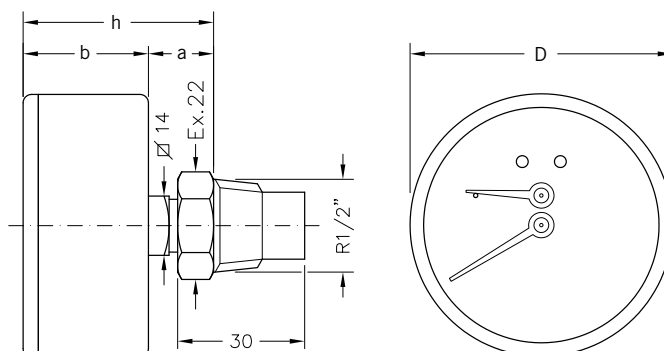
TERMOMANOMETAR, AKSIJALNI PRIKLJUČAK

standardne verzije DN 63–80

THERMO-PRESSURE GAUGES WITH STEM, REAR OUTPUT

pressure and temperature in a single instrument, DN 63–80

TRP -- VI



> DIMENZIJE I TEŽINA / SIZES AND WEIGHTS

MODELI	D	a	b	h	TEŽINA/WEIGHT
TRP 63 VI	62 mm	15 mm	30 mm	45 mm	130 gr
TRP 80 VI	80 mm	12 mm	30 mm	42 mm	150 gr

> PRIMJENA

Termomanometar objedinjuje funkcije Bourdonskog manometra i bimetalnog termometra u jednom instrumentu. Ovi modeli su posebno prikladni za sustave grijanja. Spajaju se na povratno nepropusni ventil koji omogućuje, u slučaju održavanja, izmjenu instrumenta bez potrebe pražnjenja sustava.

> GRANE PRIMJENE

- sustavi grijanja
- kotlovi
- tehnička i industrijska postrojenja

> NORMATIVI

- UNI EN 837-1
manometarska skala preciznosti klasa 2,5
- UNI EN 13190
termometarska skala preciznosti klasa 2
- stupanj zaštite IP31 prema EN 60529

RADNA OPTEREĆENJA

Temperatura

Na instrumentu -20 ÷ +70 °C
Radna temperatura 0/120 °C

Tlak

Do 3/4 cijele mjerne skale za statički tlak
Do 2/3 cijele mjerne skale za fluktuirajući tlak
Do cijele mjerne skale za kratke intervale

Fluidi

Tekućine ili plinovi koji nisu korozivni za legure bakra, niske viskoznosti i ne kristalizirajući

> APPLICATIONS

The thermo-pressure gauge combines in one instrument the functionality of a Bourdon spring pressure gauge and a bimetallic thermometer. These models are particularly suitable for heating systems. They are attached to the application through a non-return valve which allows, in case of maintenance, the replacement of the thermo-pressure gauge without having to drain the system beforehand.

The combination of two diameters and two pressure graduations offers a range of models able to satisfy any need.

> MAIN FIELDS OF APPLICATION

- heating systems
- boilers
- technical and industrial plants

> NORMATIVE REFERENCES

- UNI EN 837-1
manometer scale precision class 2.5
- UNI EN 13190
thermometer scale precision class 2
- degree of protection IP31 according to EN 60529

> OPERATING LIMITS

Temperatures

On the body of the thermo-pressure gauge -20 ÷ +70 °C
Operating temperature 0/120 °C

Pressure

Up to 3/4 of the full scale value for static pressures
Up to 2/3 of the full scale value for fluctuating pressure
Up to the full scale value for short periods

Fluids

Liquid or gaseous non-corrosive to copper alloys, not highly viscous, not crystallising

> **KONSTRUKCIJSKE KARAKTERISTIKE**

- kućište ABS
- prozor kristalni polistiren
- mesing priključak
- povratno nepropusni ventil sa mesing mehanizmom, O prsten od EPDF, opruga od nehrđajućeg čelika
- mjerni element:
 - Bourdonova cijev od manometra
 - Bimetalna spirala od termometra
- visoka osjetljivost

> **CONSTRUCTION FEATURES**

- black shockproof ABS case
- crystal clear methacrylate window
- prepainted aluminium dial white background
- black, red and blue graphics
- brass stem
- non-return valve with brass body machined from bar, O-ring in EPDF, spring in stainless steel
- sensitive element:
 - Bourdon spring for the pressure gauge part
 - bimetallic spiral for the thermometer part
- high sensitivity movement in watch brass alloy (OT59)

> **MODELI I CIJENE**

TRP 63 VI

ŠIFRA	M.P./SCALE	€
915 484 00	0/120 °C 4 bar	12,20
915 486 00	0/120 °C 6 bar	12,20

TRP 80 VI

ŠIFRA	M.P./SCALE	€
915 584 00	0/120 °C 4 bar	14,10
915 586 00	0/120 °C 6 bar	14,10