

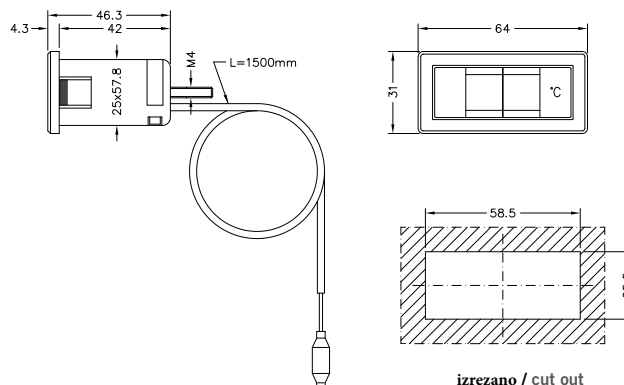
KAPILARNI TERMOMETAR, KUĆIŠTE OD TERMOPLASTIČNOG MATERIJALA

za instrumentne panele, učvršćivanje sa elastičnim kontaktom, kućište 58x25

CAPILLARY THERMOMETER RECTANGULAR FRONT, CASE IN THERMOPLASTIC MATERIAL

for instrument panel, fastening with elastic tabs, turnable dial, 58x25 case

TR 58.25 P



> PRIMJENA

Kapilarni termometri koriste se za očitavanje temperature na instrumentnim pločama, mjerenje se vrši sa udaljenosti.

Najčešće se koriste za kotlove i hladnjake.

Često proizvođači kotlova i hladnjaka zahtijevaju preinake iz tehničkih ili estetskih razloga.

Na ovim stranicama predstavljamo osnovni model, kompatibilan sa većinom kotlova i hladnjaka.

> GRANE PRIMJENE

Kao glavni i zamjenski element:

- kotlovi
- oprema za ugostiteljstvo
- hladnjaci
- posebni strojevi

> NORMATIVI

- UNI EN 13190
klasa preciznosti 2
- stupanj zaštite IP31 prema EN 60529

> RADNA OPTEREĆENJA

Temperatura

Na kućištu termometra $-20/+70^{\circ}\text{C}$

Na kratke periode do pune skale

> APPLICATIONS

The capillary thermometer have long been used in a wide variety of applications where it is useful or necessary to read the temperature on an instrument panel, taking it from a distance. The most common applications for model TR 58.25 P are on boilers for heating and on refrigerated counters and display cabinets regarding refrigeration.

Often the various brands of boilers or refrigerated counters require customisations for technical or aesthetic reasons.

In these pages we present some basic models, easily interchangeable with most models used by manufacturers, and therefore particularly suitable for the market of spare parts or to satisfy the needs of small series.

> MAIN FIELDS OF APPLICATION

The main equipment for which they are intended as their first use or as a replacement for maintenance are:

- boilers
- catering and bar equipment
- refrigerated counters and showcases
- technical applications on systems and special machines

> NORMATIVE REFERENCES

- UNI EN 13190
precision class 2
- degree of protection IP31 according to EN 60529

> OPERATING LIMITS

Temperatures

On the body of the thermometer $-20 \div +70^{\circ}\text{C}$

On the bulb, in normal operation, up to 3/4 of the full scale value

For short periods up to full scale

> **KONSTRUKCIJSKE KARAKTERISTIKE**

- ABS kućište
 - crna verzija za 0/+120°C
 - bijela verzija za -40/+40°C
- > metakrilat prozor
- > bekrena kapilara oplaštena
 - crni PVC za 0/+120°C
 - bijeli polipropilen -40/+40°C
- mehanizam: fosforno brončana spirala
- zakretni brojčanik od ABS
 - crna pozadina i bijeli tisak verzija za 0/+120°C
 - bijela pozadina, plavo-crveni tisak za -40/+40°C
- težina 57 grama

> **CONSTRUCTION FEATURES**

- case and ring in shockproof ABS
 - black for 0/120 °C version
 - white for -40/+40 °C version
- crystal clear methacrylate window
- copper capillary covered
 - black PVC for 0/120 °C version
 - white polypropylene for -40/+40 °C version
- copper bulb insertable also on pocket (see pag. 59)
- movement: phosphorous bronze spiral
- turnable drum dial in shockproof ABS
 - black background and white graphics for 0/120 °C version
 - white background, blue-red graphics on -40/+40 °C version
- weight 57 gr

> **MODELI I CIJENE**

TR 58.25 P

ŠIFRA	M.P./SCALE	€
913 220 20	-40/+40 °C	7,30
913 221 20	0/120 °C	6,80