

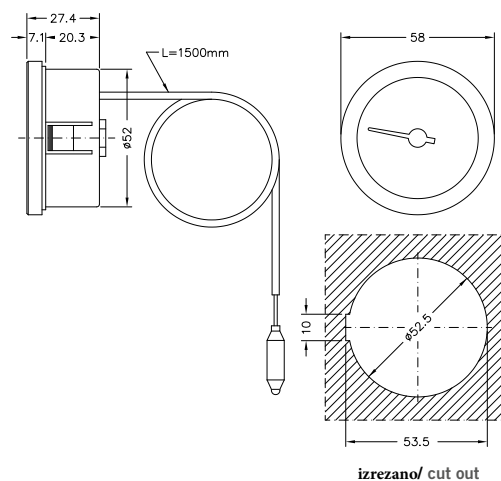
## KAPILARNI TERMOMETAR SA TERMOPLASTIČNIM KUĆIŠTEM

za instrumentne panele, učvršćivanje sa elastičnim kontaktom, DN 52

## CAPILLARY THERMOMETER WITH CASE IN THERMOPLASTIC MATERIAL

for instrument panel, fastening with elastic tabs, DN 52 case

**T 52 P**



### > PRIMJENA

Kapilarni termometri koriste se za očitavanje temperature na instrumentnim pločama, mjerenje se vrši sa udaljenosti.

Najčešće se koriste za kotlove i hladnjake.

Često proizvođači kotlova i hladnjaka zahtijevaju preinake iz tehničkih ili estetskih razloga.

Na ovim stranicama predstavljamo osnovni model, kompatibilan sa većinom kotlova i hladnjaka.

### > GRANE PRIMJENE

Kao glavni i zamjenski element:

- kotlovi
- oprema za ugostiteljstvo
- hladnjaci
- posebni strojevi

### > NORMATIVI

- UNI EN 13190  
klasa preciznosti 2
- stupanj zaštite IP31 prema EN 60529

### > RADNA OPTEREĆENJA

#### Temperatura

Na kućištu termometra -20/+70°C

Na kratke periode do pune skale

### > APPLICATIONS

The capillary thermometer have long been used in a wide variety of applications where it is useful or necessary to read the temperature on an instrument panel, taking it from a distance. The most common applications are on boilers for heating and on refrigerated counters and display cabinets regarding refrigeration.

Often the various brands of boilers or refrigerated counters require customisations for technical or aesthetic reasons.

In these pages we present some basic models, easily interchangeable with most models used by manufacturers, and therefore particularly suitable for the market of spare parts or to satisfy the needs of small series.

### > MAIN FIELDS OF APPLICATION

The main equipment for which they are intended as their first use or as a replacement for maintenance are:

- boilers
- catering and bar equipment
- refrigerated counters and showcases
- technical applications on systems and special machines

### > NORMATIVE REFERENCES

- UNI EN 13190  
precision class 2
- degree of protection IP31 according to EN 60529

### > OPERATING LIMITS

#### Temperatures

On the body of the thermometer -20 ÷ +70 °C

On the bulb, in normal operation, up to 3/4 of the full scale value

For short periods up to full scale

**> KONSTRUKCIJSKE KARAKTERISTIKE**

- kućište od pojačanog poliamidnog vlakna
- metakrilat prozor
- bakrena kapilara:
  - obložena crnim PVC-om za temperature 0/ 120°C
  - obložena bijelim polipropilenom za temperature -40/ +40 °C
- termičko osjetilo: fosforno brončana spirala
- obojani aluminijski brojčanik
  - crna pozadina i bijeli tisak za mjerno područje 0/ 120°C
  - bijela pozadina crveno/plavi tisak za -40/+40°C
- težina 56 grama

**> CONSTRUCTION FEATURES**

- case and ring in black reinforced nylon
- crystal clear methacrylate window
- copper capillaries:
  - PVC coated black for scale 0/120 °C
  - white polypropylene coated for scale -40/+40 °C
- copper bulb insertable also on pocket (see pag. 59)
- movement: phosphorous bronze spiral
- prepainted aluminium dial:
  - black background and white graphics for scale 0/120 °C
  - white background, red and blue graphics for scale -40/+40 °C
- weight 56 gr

**> MODELI I CIJENE**

**T 52 P**

ŠIFRA	M.P./SCALE	€
913 121 09	-40/+40 °C	7,30
913 121 10	0/120 °C	6,80

