

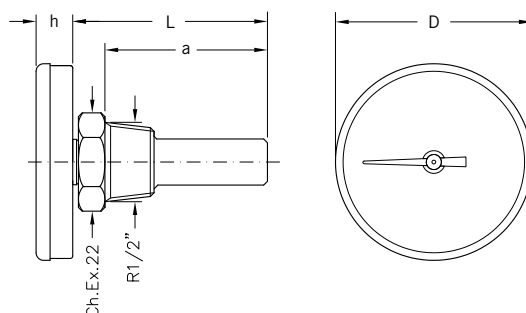
BIMETALNI TERMOMETRI, INOX KUĆIŠTE, AKSIJALNI PRIKLJUČAK

sa zaštitnim tuljkom, DN 40-50-63-80-100

BIMETALLIC THERMOMETERS WITH INOX CASE, REAR STEM

with pocket, DN 40-50-63-80-100

PST -- VI



> DIMENZIJA I TEŽINA/ SIZES AND WEIGHTS

MODELI	D	h	L	a	TEŽINA/WEIGHT
PST 40 VI	40 mm	9 mm	51 mm	43 mm	75 gr
			107 mm	97 mm	95 gr
PST 50 VI	52 mm	9,7 mm	51 mm	43 mm	87 gr
			107 mm	97 mm	110 gr
PST 63 VI	62 mm	12,7 mm	51 mm	43 mm	96 gr
			107 mm	97 mm	122 gr
PST 80 VI	80 mm	11,6 mm	51 mm	43 mm	119 gr
			107 mm	97 mm	144 gr
PST 100 VI	99 mm	16 mm	51 mm	43 mm	157 gr
			107 mm	97 mm	184 gr

> PRIMJENA

Bimetalni termometri čvrste konstrukcije, namjenjeni su za mjerenje temperature u raznim područjima. Sonda je zaštićena tuljkom koji se koristi iz dva razloga: da bi zaustavio nadiranje tekućine unutar samog termometra i da bi dopustio, u slučaju održavanja, zamjenu termometra bez prethodno pražnjenja sustava.

> APPLICATIONS

Bimetallic thermometers, sturdy version for general, to measure the temperature in many applications. They are attached through a threaded pocket. This has a dual purpose: to prevent liquid from penetrating inside the thermometer and allow, in case of maintenance, the replacement of the thermometer without having to drain the system beforehand.

The combination of five diameters, three graduations, two stem lengths, creates a wide range of models able to satisfy any requirement.

> GRANE PRIMJENE

- sustavi grijanja
- kotlovi i spremnici tople vode
- solarni kolektori
- toplinske pumpe
- tehnička i industrijska postrojenja

> MAIN FIELDS OF APPLICATION

- heating systems
- boilers and hot water storage tanks
- solar collectors
- heat pumps
- technical and industrial plants

> NORMATIVI

- UNI EN 13190
klasa preciznosti 2
- deklaracija I.S.P.E.S.L. (skala 0/120°C)
- stupanj zaštite IP31 prema EN 60529

> NORMATIVE REFERENCES

- UNI EN 13190
class precision 2
- I.S.P.E.S.L. conformity (scale 0/120 °C)
- degree of protection IP31 according to EN 60529

> RADNA OPTEREĆENJA

Dopuštena temperatura na kućištu termometra -20/+70°C
Maksimalan tlak na sondu 6 bar
Tekućine i plinovi koji nisu korozivni za bakrene legure

> OPERATING LIMITS

Temperature allowed on the thermometer casing
-20 ÷ +70 °C
Maximum pressure on the pocket 6 bar
Liquid or gaseous fluids not corrosive for copper alloys

> KONSTRUKCIJSKE KARAKTERISTIKE

- kućište od poliranog nehrđajućeg čelika AISI 304
- prozor od metakrilata
- bijelo obojana aluminijska kazaljka
 - crna 0/+60°C i 0/+120°C
 - crvena i crna -30/+50°C
- mesing sonda Ø 9 mm
- mesing zaštitni tuljak
- mjerni mehanizam: precizna bimetalna spirala

> CONSTRUCTION FEATURES

- case in polished stainless steel AISI 304
- highly transparent methacrylate window
- prepainted white aluminium dial
 - black graphics 0/60 °C and 0/120 °C
 - red and black graphics -30/+50 °C
- brass piping stem Ø 9 mm
- brass pocket machined from bar (length 5 cm) or brass fitting and copper pipe (length 10 cm)
- movement: precision bimetallic spiral
- lantern friction spring between stem and pocket

> MODELI I CIJENE**PST 40 VI**

ŠIFRA	M.P./SCALE	NOMINALNA DULJINA/NOMINAL LENGTH	€
916 240 50	0/120 °C	5 cm	5,90
916 241 00	0/120 °C	10 cm	7,60

PST 50 VI

ŠIFRA	M.P./SCALE	NOMINALNA DULJINA/NOMINAL LENGTH	€
916 250 50	0/120 °C	5 cm	6,40
916 251 00	0/120 °C	10 cm	8,10

PST 63 VI

ŠIFRA	M.P./SCALE	NOMINALNA DULJINA/NOMINAL LENGTH	€
916 260 51	-30/+50 °C	5 cm	6,60
916 260 52	0/60 °C	5 cm	6,60
916 260 50	0/120 °C	5 cm	6,60
916 261 01	-30/+50 °C	10 cm	8,40
916 261 02	0/60 °C	10 cm	8,40
916 261 00	0/120 °C	10 cm	8,40

PST 80 VI

ŠIFRA	M.P./SCALE	NOMINALNA DULJINA/NOMINAL LENGTH	€
916 280 51	-30/+50 °C	5 cm	7,70
916 280 52	0/60 °C	5 cm	7,70
916 280 50	0/120 °C	5 cm	7,70
916 281 01	-30/+50 °C	10 cm	9,70
916 281 02	0/60 °C	10 cm	9,70
916 281 00	0/120 °C	10 cm	9,70

PST 100 VI

ŠIFRA	M.P./SCALE	NOMINALNA DULJINA/NOMINAL LENGTH	€
916 290 51	-30/+50 °C	5 cm	11,60
916 290 52	0/60 °C	5 cm	11,60
916 290 50	0/120 °C	5 cm	11,60
916 291 01	-30/+50 °C	10 cm	13,20
916 291 02	0/60 °C	10 cm	13,20
916 291 00	0/120 °C	10 cm	13,20